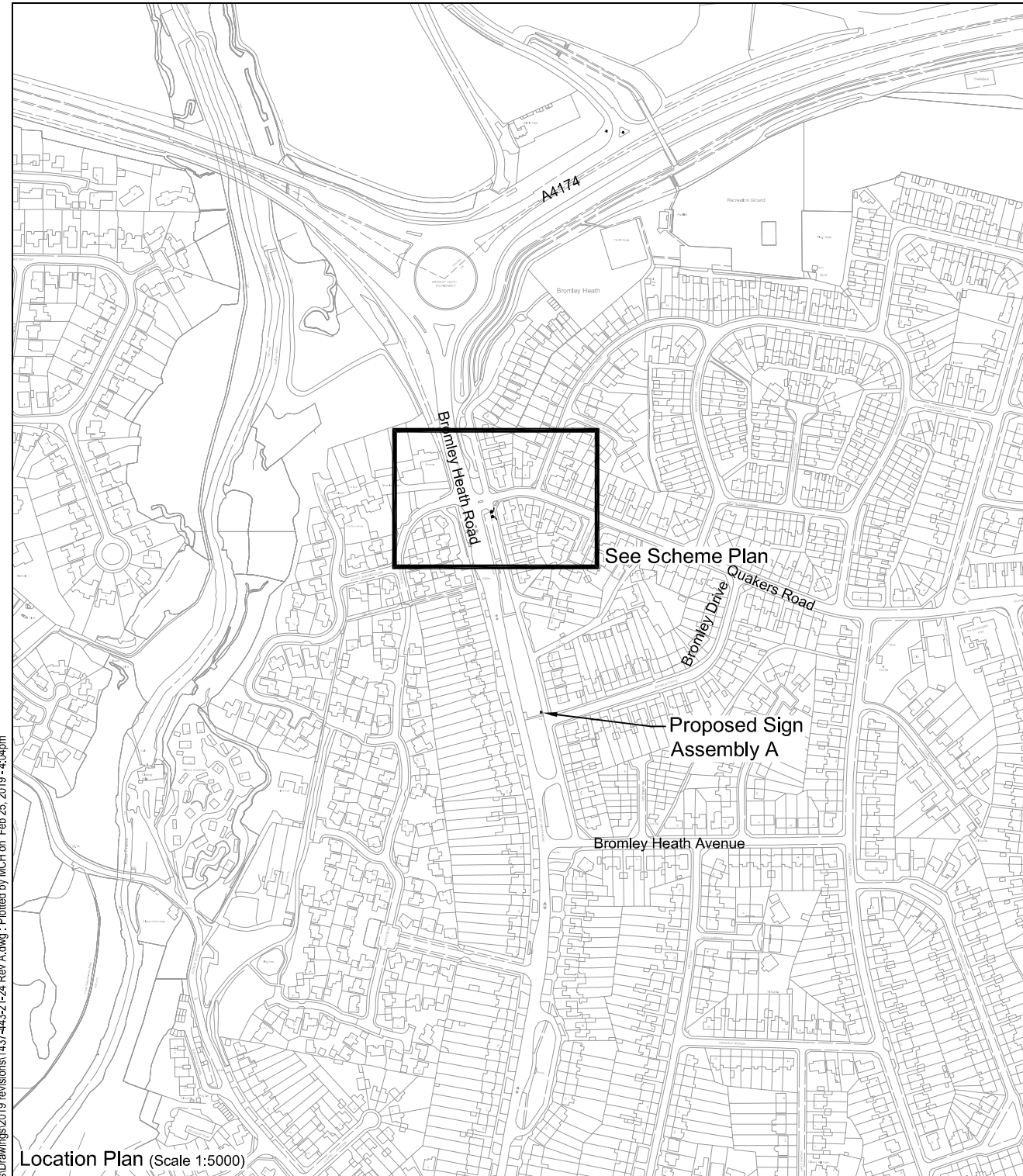
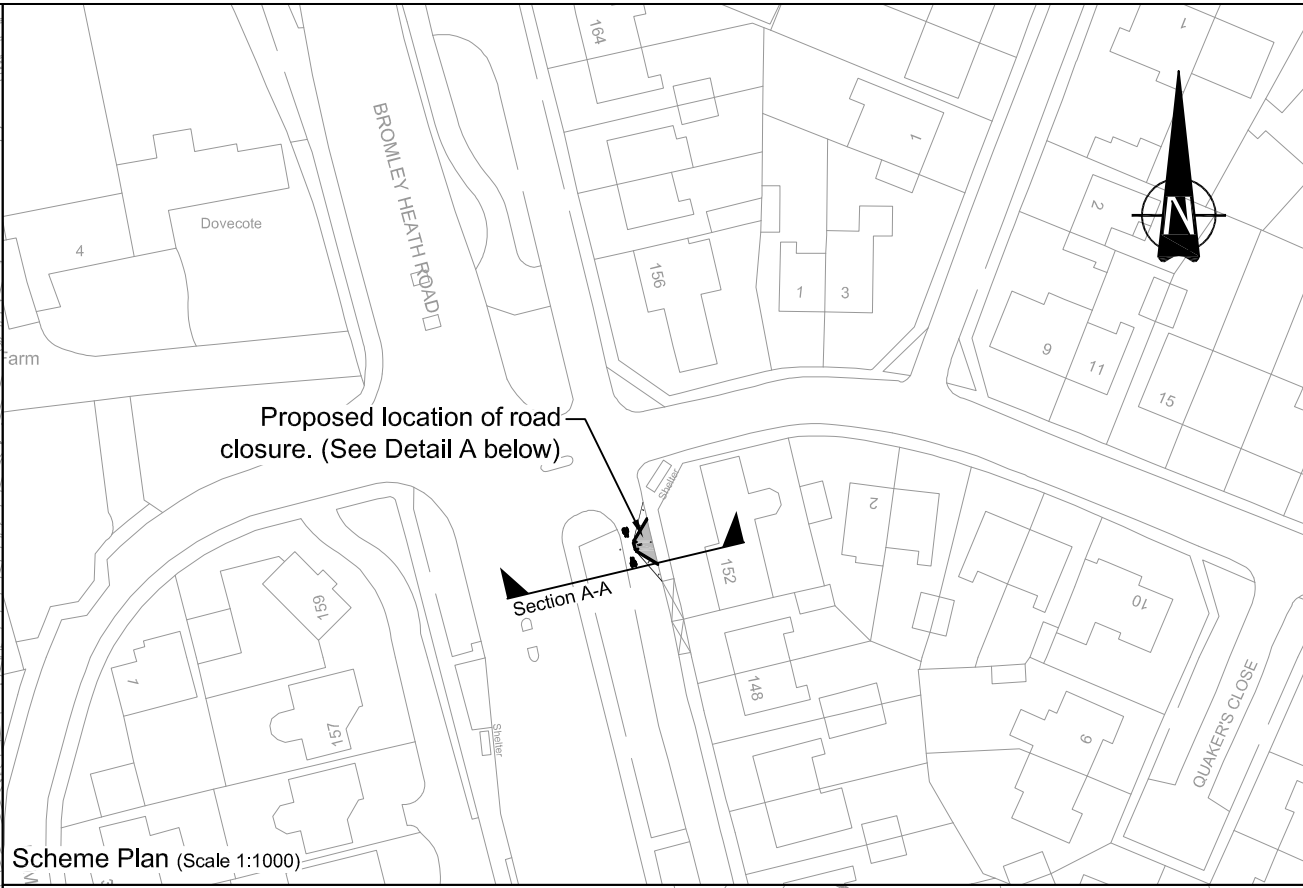


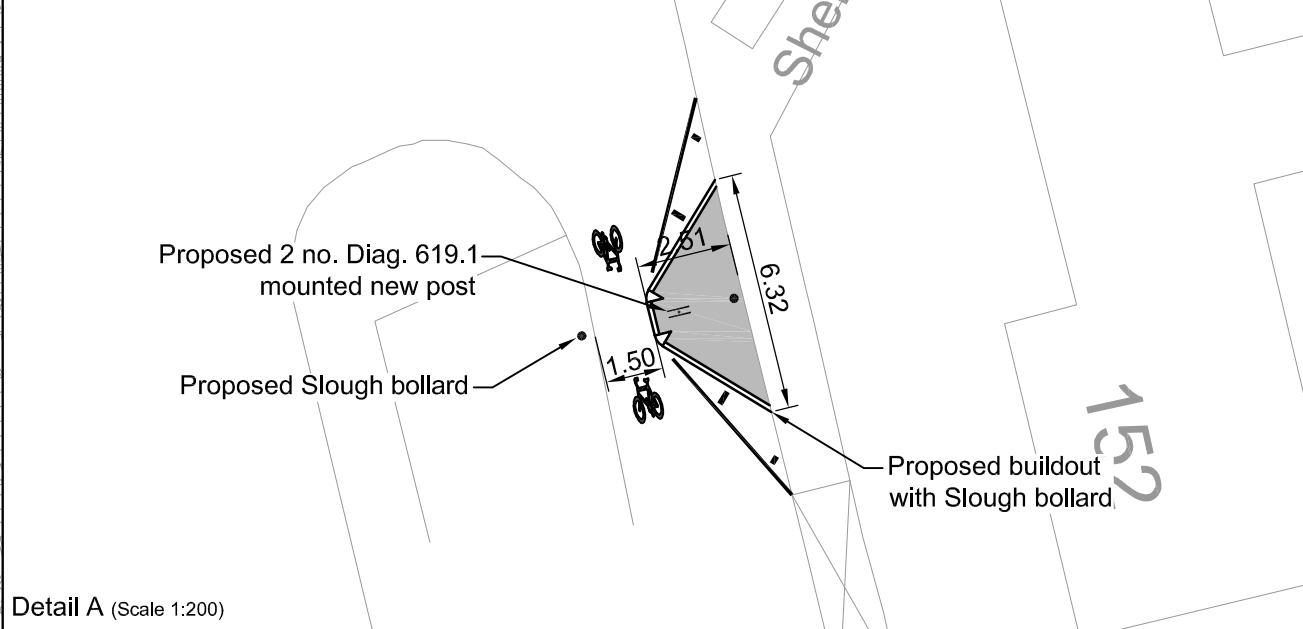
Acad Ref: I:\TNS Schemes\T437-MINTERBOURNE\43 - Experimental TROs off A4325, Docs & Drawings\2019 revisions\T437-443-21-24, Rev A.dwg : Plotted by MCH on Feb 25, 2019 - 4:04pm



Location Plan (Scale 1:5000)



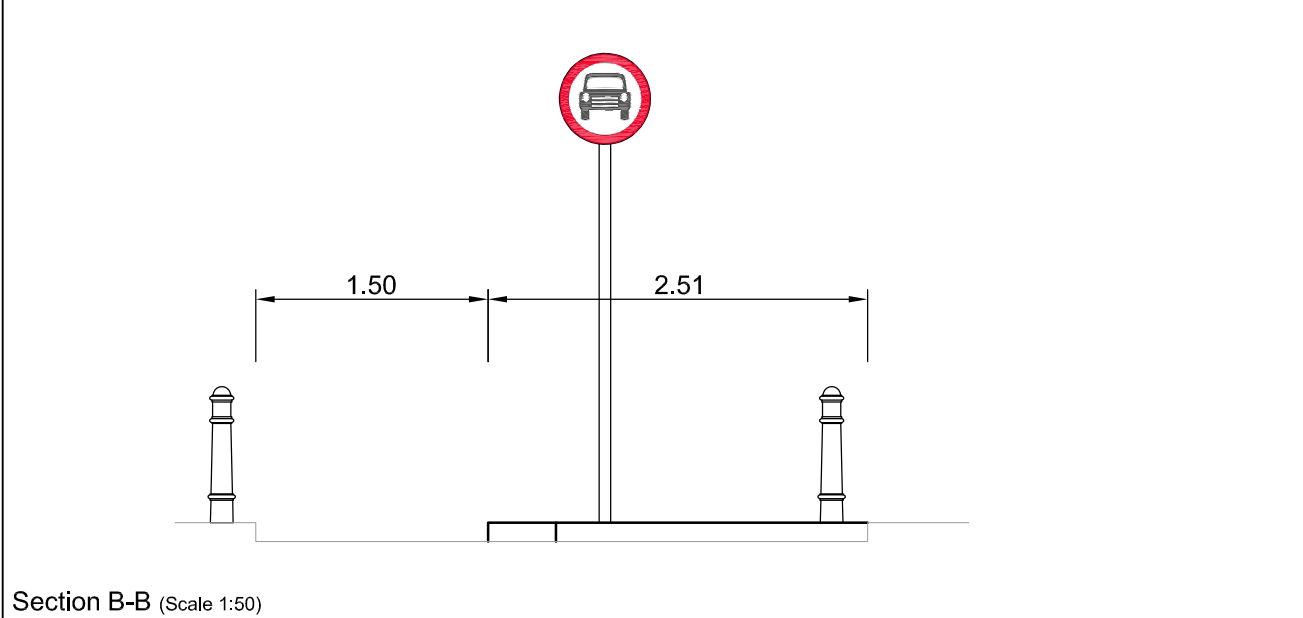
Scheme Plan (Scale 1:1000)



Detail A (Scale 1:200)

- NOTES:**
- Concrete rings filled with aggregate will form the temporary restrictions during the experimental traffic order period.
 - At each physical closure location, prohibition of motor vehicles signs (619.1) will be installed.
 - Temporary 'road closed ahead' signs will be in place at commencement of the experiment and will be removed after a period of familiarisation.
 - Semi permanent Cul-de-Sac signs (816) with supplementary plate are to be placed at entry points during the experimental traffic order period. These signs will be removed or retained as appropriate on completion of the experiment.
 - Details of bollards and island features shown in this drawing are for consultation about the form any future permanent traffic regulation order might take, if the experimental traffic order is made permanent.
 - For details of temporary restriction features to be in place during the experimental order period, refer to drawings T437-443-030 & T437-443-031.

CONSULTATION



Section B-B (Scale 1:50)

ORDNANCE SURVEY
 © Crown copyright and database rights 2019 Ordnance Survey 100023410.
 This map has been provided for this scheme consultation and must not be used for any other purpose. Only one paper copy may be made for your own use.

Sign Assembly A

Sign 619.1 Motor vehicles prohibited

Sign 816 No through road for vehicular traffic and supplementary plate

| Rev | Description | Drawn | App'd | Date |
|-----|------------------------------------|-------|-------|--------|
| A | Bollard location and signs amended | JR | MC | Nov.18 |

South Gloucestershire Council
 DEPARTMENT OF ENVIRONMENT AND COMMUNITY SERVICES

DIRECTOR
 Nigel Riglar

STREETCARE TRANSPORT & WASTE
 PO Box 1954
 Bristol, BS37 0DD
 Telephone: 01454 868 000
 Email: TransportServices@southglos.gov.uk

Project: Experimental Traffic Regulation Order
 Southern Brooks Traffic Management
 Winterbourne

Title: Site Location Plan
 Sheet 1 of 3

| Scale @ A3 | As Shown |
|------------|----------|
| Drawn | JR |
| Checked | MC |
| Approved | MS |
| Date | Mar.18 |
| Date | Apr.18 |
| Date | Apr.18 |

| Dwg No. | Parish | Scheme | Number | Rev. |
|---------|--------|--------|--------|------|
| T437 | 443 | 22 | A | |